



**DISTRIBUTORI
OLEODINAMICI**

WMM10

MANUALLY OPERATED
DIRECTIONAL CONTROL VALVES

WMM10 SERIES MANUALLY OPERATED DIRECTIONAL CONTROL VALVES ARE DIRECT TYPE DIRECTIONAL SPOOL VALVES. THESE VALVES ARE USED TO THE START, STOP AND DIRECTION OF FLOW. THIS SERIES WITH DETENT OR RETURN SPRING ARE AVAILABLE.

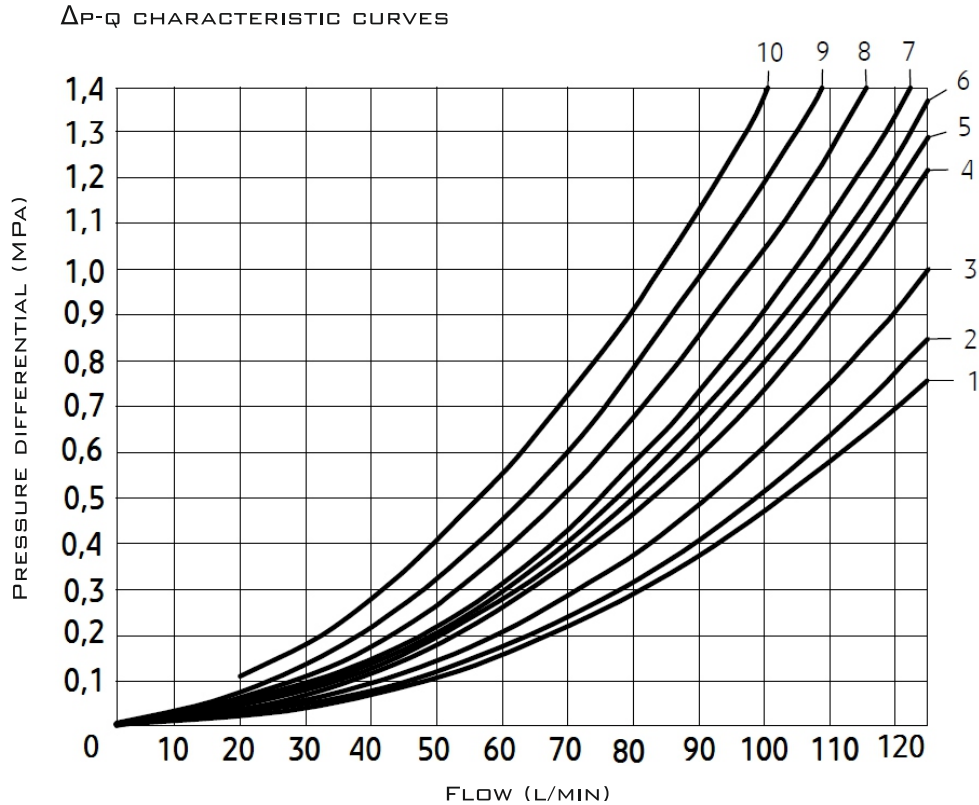


TECHNICAL DATA

| | | |
|--------------------------|---------------|-----------------------------|
| SIZE | | 10 |
| MAX. FLOW RATE (L/MIN) | | 100 |
| OPERATING PRESSURE (MPA) | A, B, P PORTS | 31.5 |
| | T PORT | 16 |
| WEIGHT (KG) | | 4.4 |
| VALVE BODY (MATERIAL) | | CASTING PHOSPHATING SURFACE |



CHARACTERISTIC CURVES



| SPOOL SYMBOL | FLOW DIRECTION | | | |
|--------------|----------------|-------|-------|-------|
| | P - A | P - B | A - T | B - T |
| A; B | 3 | 3 | - | - |
| C | 3 | 3 | 4 | 5 |
| D; Y | 5 | 5 | 6 | 6 |
| E | 1 | 1 | 4 | 4 |
| F | 2 | 3 | 7 | 4 |
| G | 3 | 3 | 6 | 7 |
| H | 1 | 1 | 6 | 7 |
| J | 1 | 1 | 3 | 3 |
| L | 2 | 2 | 3 | 5 |
| M | 1 | 1 | 4 | 5 |
| P | 4 | 2 | 5 | 7 |
| Q | 1 | 2 | 1 | 3 |
| R | 3 | 6 | 4 | - |
| T | 3 | 3 | 6 | 7 |
| U, V | 2 | 2 | 3 | 3 |
| W | 2 | 2 | 4 | 5 |

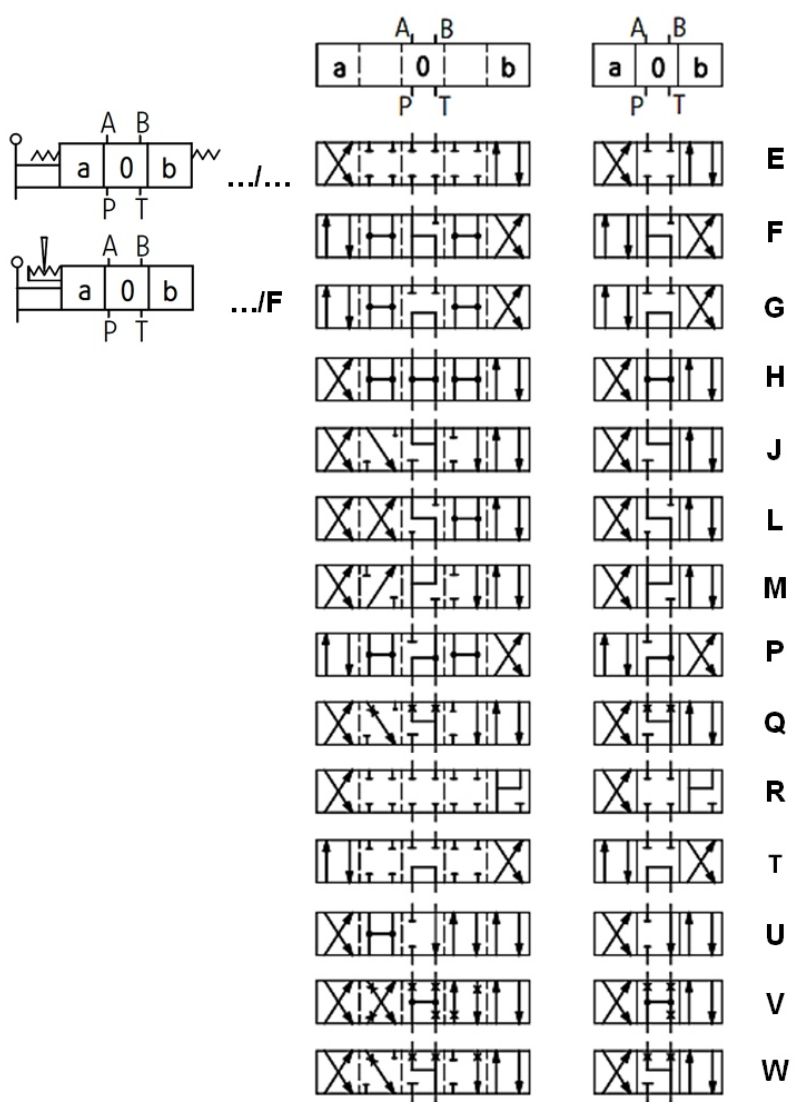
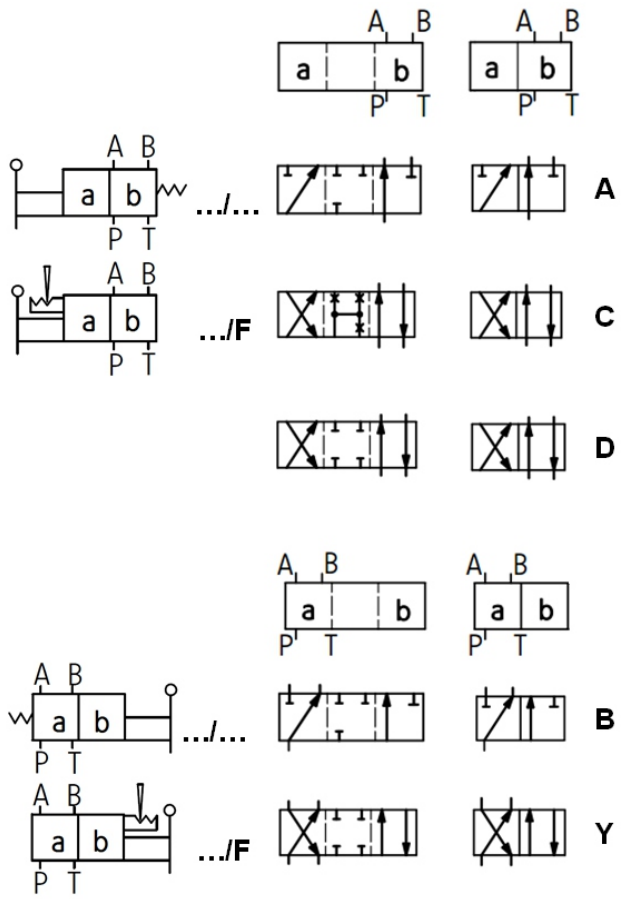
9 CURVE - SPOOL SYMBOL "R" IN SHIFTED POSITION B → A;
 3 CURVE - SPOOL SYMBOL "H" IN CENTRAL POSITION P → T;
 4 CURVE - SPOOL SYMBOL "F" IN CENTRAL POSITION P → A;
 9 CURVE - SPOOL SYMBOL "F" IN CENTRAL POSITION A → T,
 SPOOL SYMBOL "F", "G" AND "T" IN CENTRAL POSITION P → T;
 5, 8, 10 CURVES - SPOOL SYMBOL "P" IN CENTRAL POSITION P → B, B → T AND P → T.



SPOOL SYMBOLS

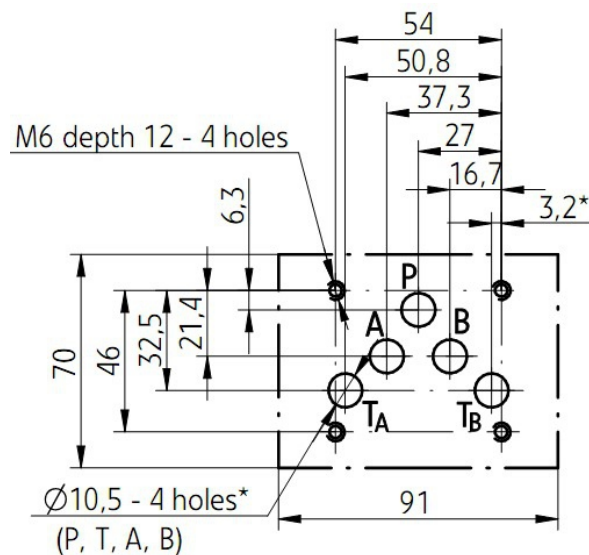
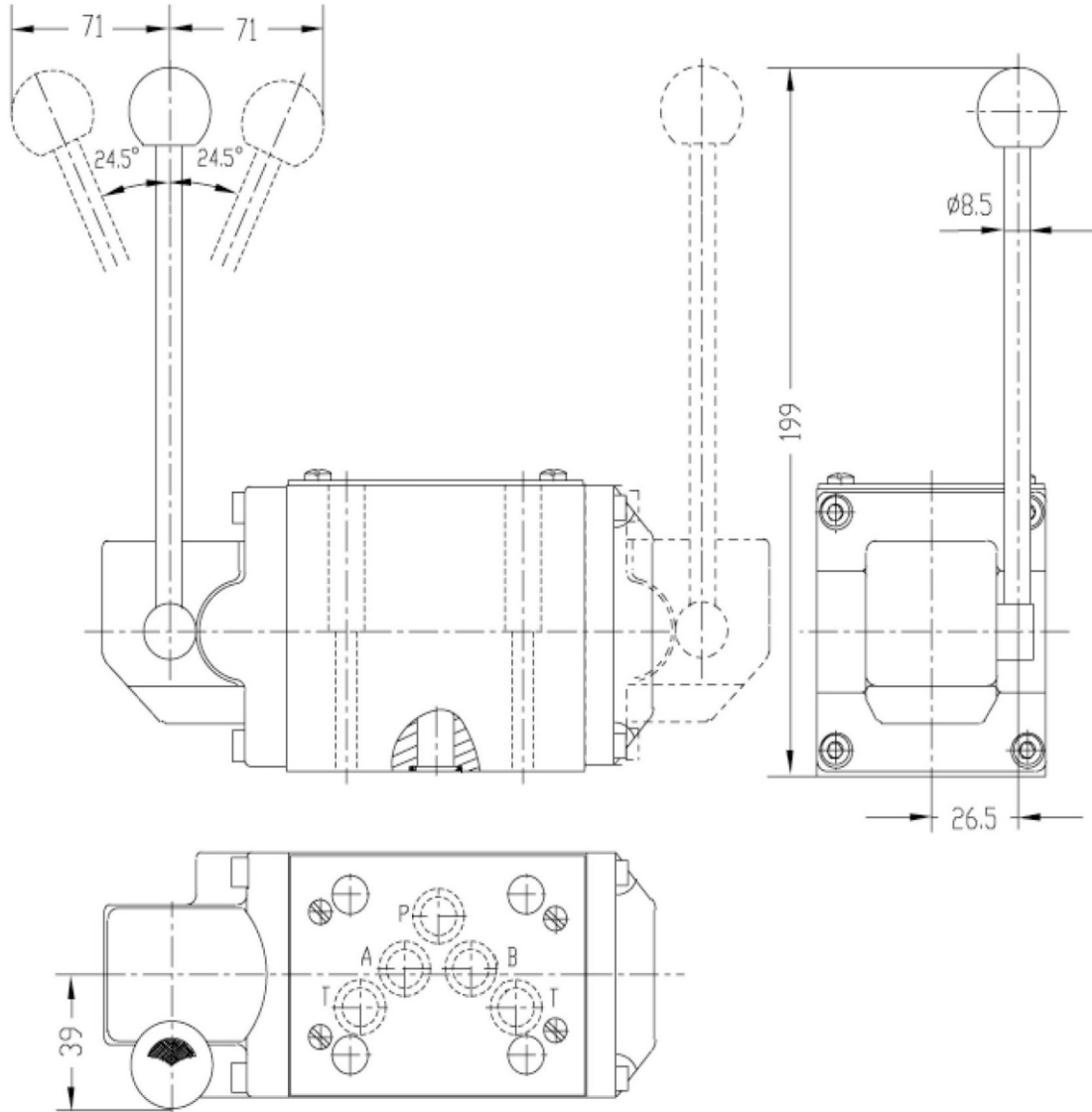
2-POSITION VALVES

3-POSITION VALVES



SEE ALSO:
WMM6, WMM16,
WMM25

SUBPLATE INSTALLATION DIMENSIONS



* - CONNECTION WITH 1 HOLE T FROM PORT SIDE A OR B IS SUFFICIENT - HOLES T_A AND T_B ARE CONNECTED TO THE PORT T IN THE HOUSING OF DIRECTIONAL SPOOL VALVE



DISTRIBUTORI
OLEODINAMICI

WMM10

MANUALLY OPERATED
DIRECTIONAL CONTROL VALVES

ORDER CODE

| | | | | | | | | | |
|--|-----|----|--|--|--|--|--|--|--|
| | WMM | 10 | | | | | | | |
|--|-----|----|--|--|--|--|--|--|--|

3=3-WAY
4=4-WAY

10=10 SIZE

SPOOL TYPE

10=10 SERIES

50=50 SERIES

NO CODE=SPRING RETURN WITHOUT DETENT
F=DETENT WITHOUT SPRING RETURN

NO CODE=HANDLE ON SIDE OF
PORT A
L=HANDLE ON SIDE OF PORT B

NO CODE=MINERAL SUBSTANCE
HYDRAULIC OIL
V=PHOSPHATE EATER
HYDRAULIC OIL

NO CODE=WITHOUT THROTTLE INSERT
B0.8=THROTTLE 0.8 MM
B1.0=THROTTLE 1.0 MM
B1.2=THROTTLE 1.2 MM