



**DISTRIBUTORI
OLEODINAMICI**

WMM16

MANUALLY OPERATED
DIRECTIONAL CONTROL VALVES

WMM16 SERIES MANUALLY OPERATED DIRECTIONAL CONTROL VALVES ARE DIRECT TYPE DIRECTIONAL SPOOL VALVES. THESE VALVES ARE USED TO THE START, STOP AND DIRECTION OF FLOW. THIS SERIES WITH DETENT OR RETURN SPRING ARE AVAILABLE.



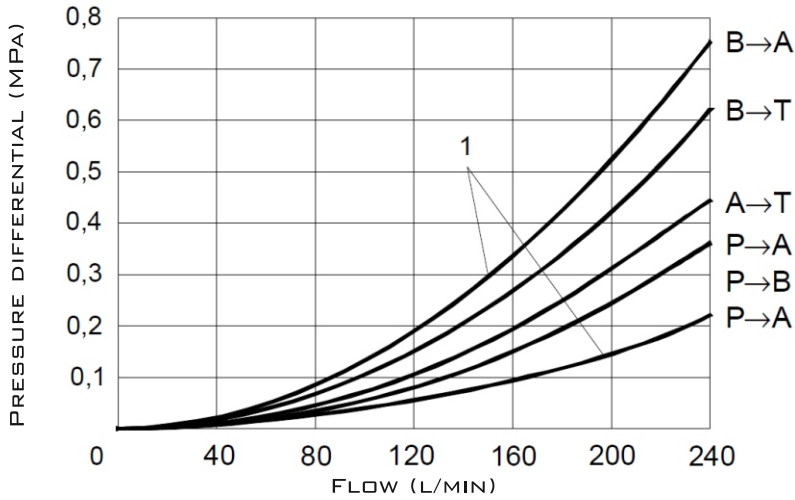
TECHNICAL DATA

SIZE		16
MAX. FLOW RATE (L/MIN)		300
OPERATING PRESSURE (MPA)	A, B, P PORTS	31.5
	T PORT	25
WEIGHT (KG)		8.9
VALVE BODY (MATERIAL)		CASTING PHOSPHATING SURFACE



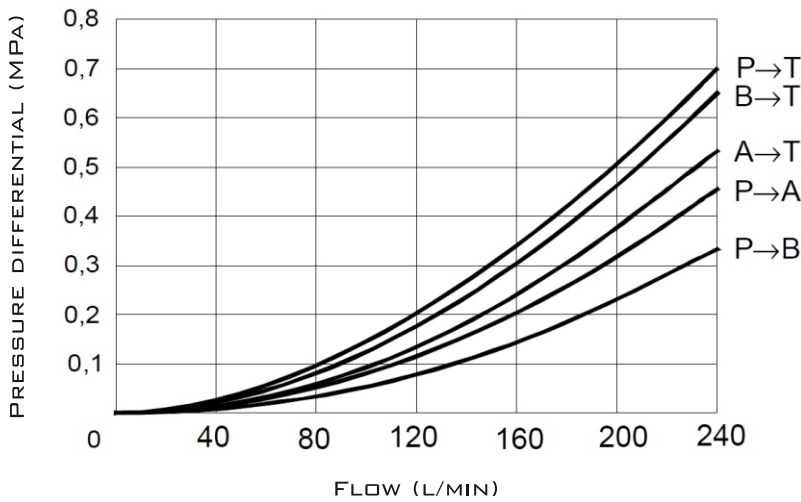
CHARACTERISTIC CURVES

$\Delta P-Q$ CHARACTERISTIC CURVES - SPOOL TYPE E, R

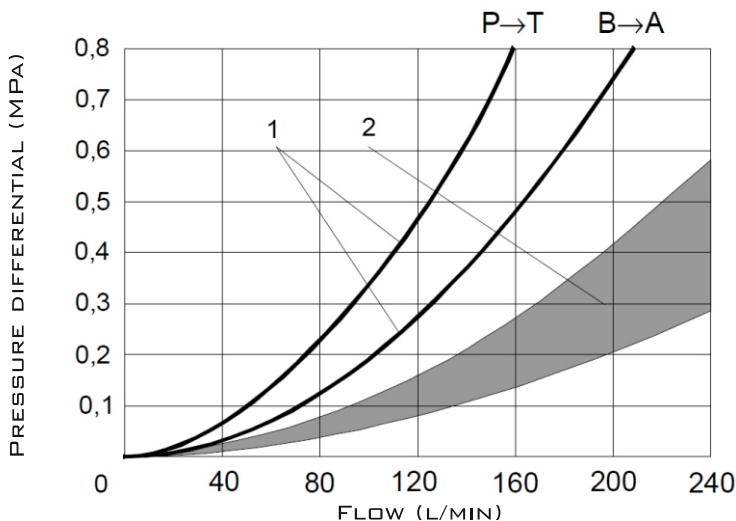


1) ONLY APPLICABLE FOR SPOOL TYPE "R"

$\Delta P-Q$ CHARACTERISTIC CURVES - SPOOL TYPE G, T



$\Delta P-Q$ CHARACTERISTIC CURVES - SPOOL TYPE S, F, H, J, L, M, Q, U, V, W, G, D, K, Z



1) ONLY APPLICABLE FOR SPOOL TYPE "S"
2) NOT APPLICABLE FOR SPOOL TYPE "S"



DISTRIBUTORI
OLEODINAMICI

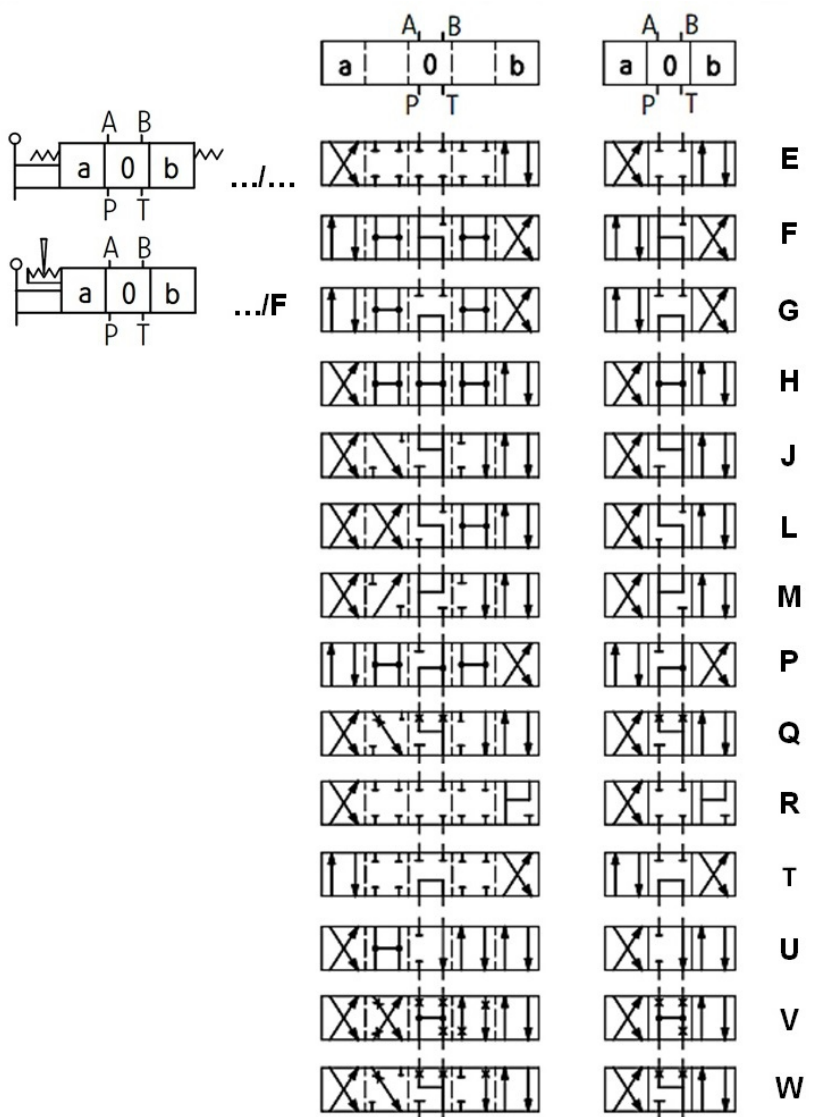
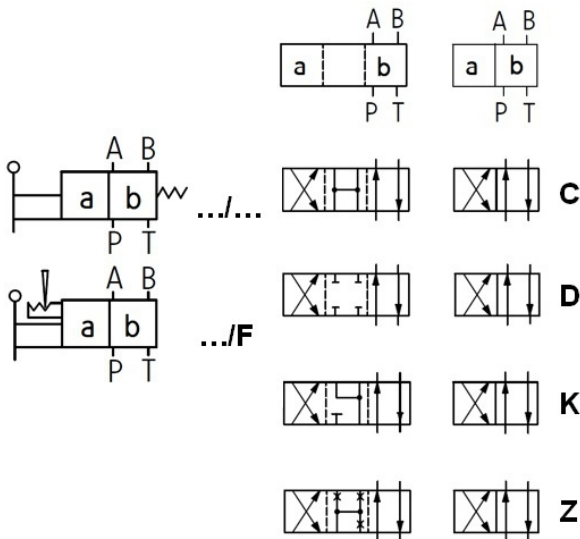
WMM16

MANUALLY OPERATED
DIRECTIONAL CONTROL VALVES

SPOOL SYMBOLS

2-POSITION VALVES

3-POSITION VALVES



SEE ALSO:
WMM6, WMM10,
WMM25



**DISTRIBUTORI
OLEODINAMICI**

WMM16

MANUALLY OPERATED
DIRECTIONAL CONTROL VALVES

ORDER CODE

		WMM	16							
--	--	-----	----	--	--	--	--	--	--	--

H=35MPa

3=3-WAY
4=4-WAY

16=16 SIZE

SPOOL TYPE

10=10 SERIES
50=50 SERIES

NO CODE=SPRING RETURN WITHOUT DETENT
F=DETENT WITHOUT SPRING RETURN

NO CODE=HANDLE ON SIDE OF
PORT A
L=HANDLE ON SIDE OF PORT B

NO CODE=MINERAL SUBSTANCE
HYDRAULIC OIL
V=PHOSPHATE EATER
HYDRAULIC OIL

NO CODE=WITHOUT THROTTLE INSERT
B0.8=THROTTLE 0.8 MM
B1.0=THROTTLE 1.0 MM
B1.2=THROTTLE 1.2 MM