

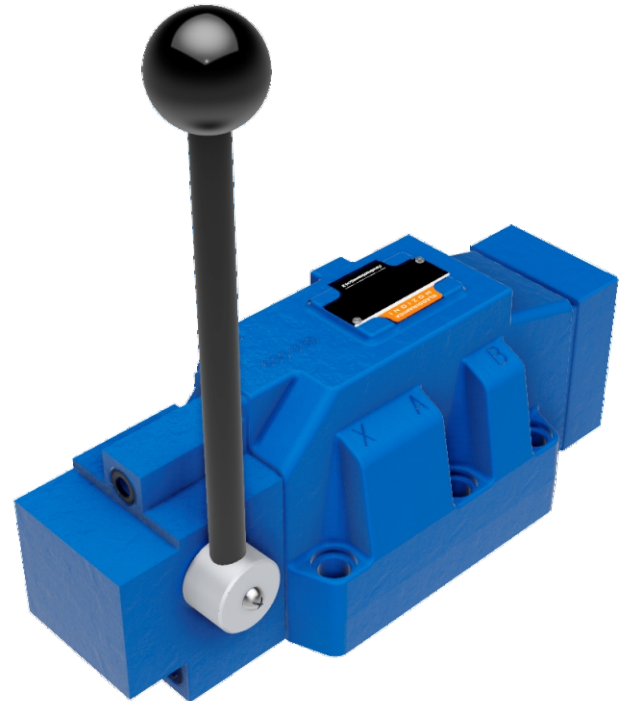


**DISTRIBUTORI  
OLEODINAMICI**

**WMM25**

MANUALLY OPERATED  
DIRECTIONAL CONTROL VALVES

WMM25 SERIES MANUALLY OPERATED DIRECTIONAL CONTROL VALVES ARE DIRECT TYPE DIRECTIONAL SPOOL VALVES. THESE VALVES ARE USED TO THE START, STOP AND DIRECTION OF FLOW. THIS SERIES WITH DETENT OR RETURN SPRING ARE AVAILABLE.



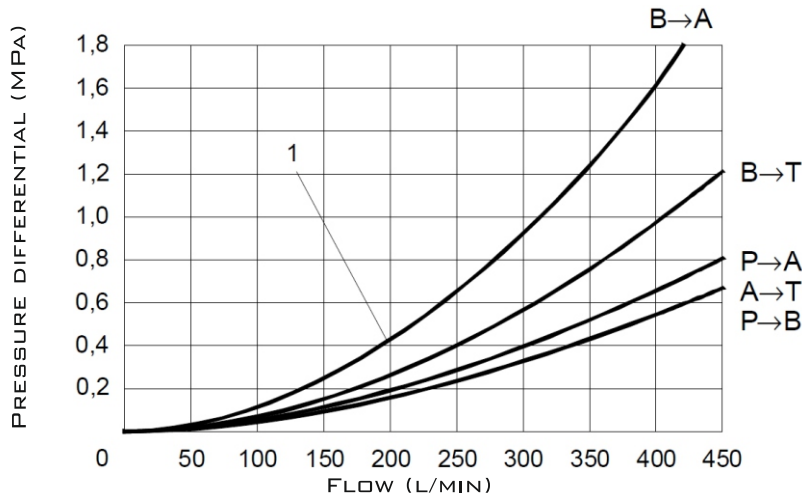
**TECHNICAL DATA**

SIZE		25
MAX. FLOW RATE (L/MIN)		450
OPERATING PRESSURE (MPA)	A, B, P PORTS	31.5
	T PORT	25
WEIGHT (KG)		39.2
VALVE BODY (MATERIAL)		CASTING PHOSPHATING SURFACE



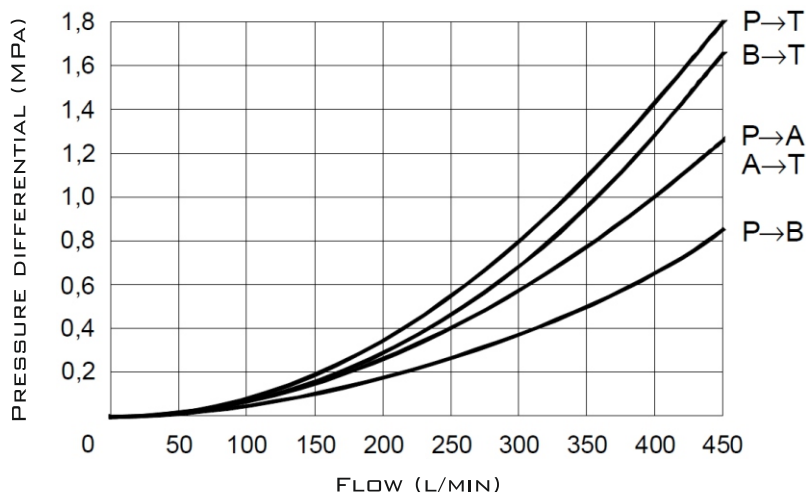
## CHARACTERISTIC CURVES

$\Delta P$ - $Q$  CHARACTERISTIC CURVES - SPOOL TYPE E, R, W

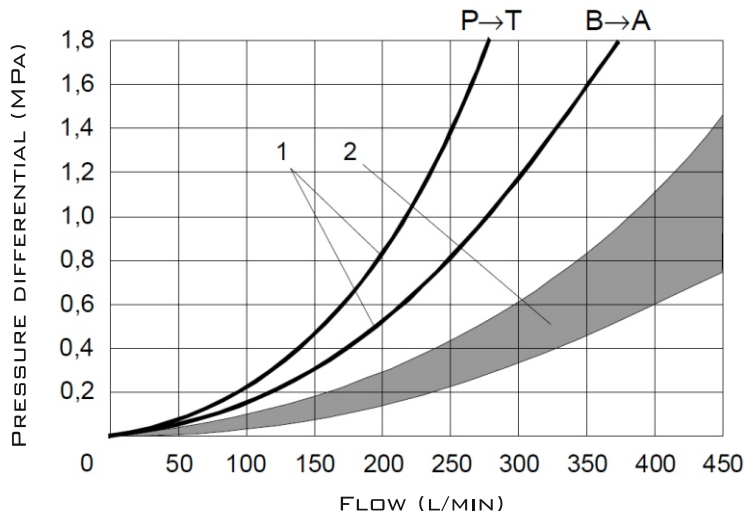


1) ONLY APPLICABLE FOR SPOOL TYPE "R"

$\Delta P$ - $Q$  CHARACTERISTIC CURVES - SPOOL TYPE G, T



$\Delta P$ - $Q$  CHARACTERISTIC CURVES - SPOOL TYPE S, F, H, J, L, M, Q, U, V, W, G, D, K, Z



1) ONLY APPLICABLE FOR SPOOL TYPE "S"  
2) NOT APPLICABLE FOR SPOOL TYPE "S"



DISTRIBUTORI  
OLEODINAMICI

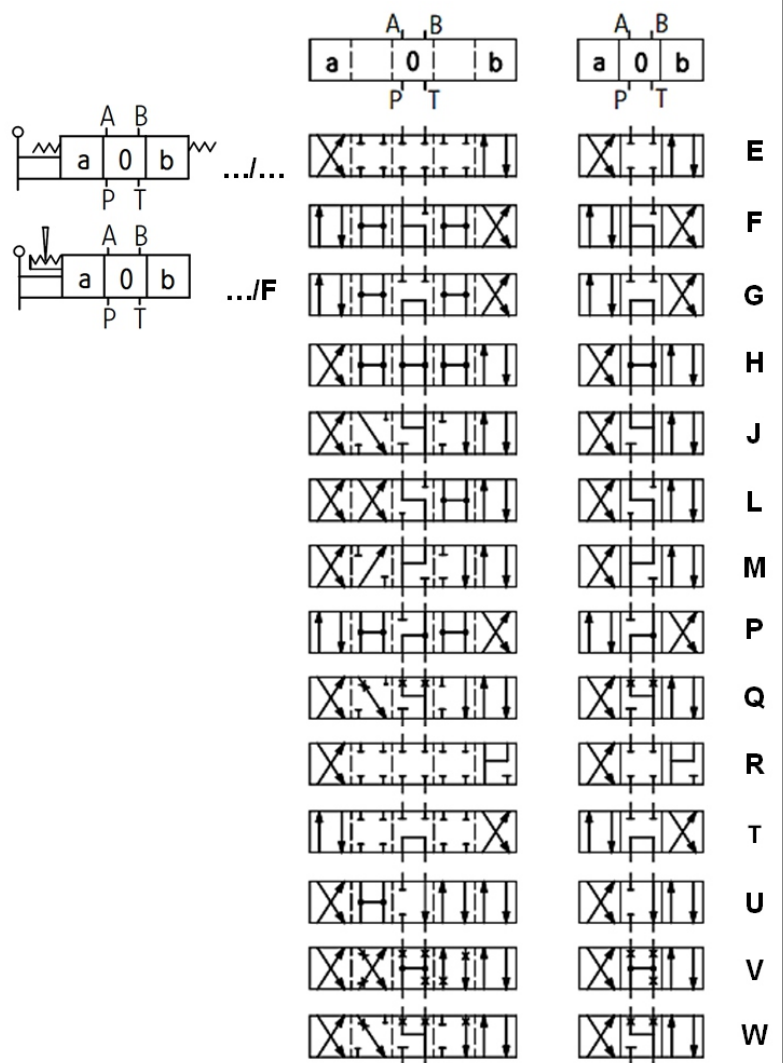
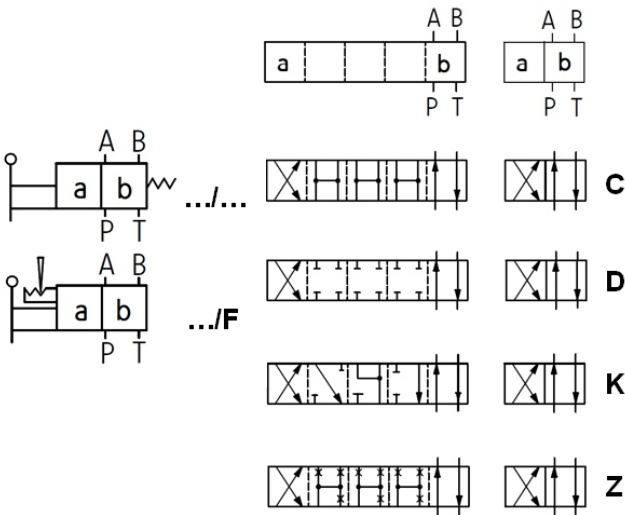
WMM25

MANUALLY OPERATED  
DIRECTIONAL CONTROL VALVES

SPOOL SYMBOLS

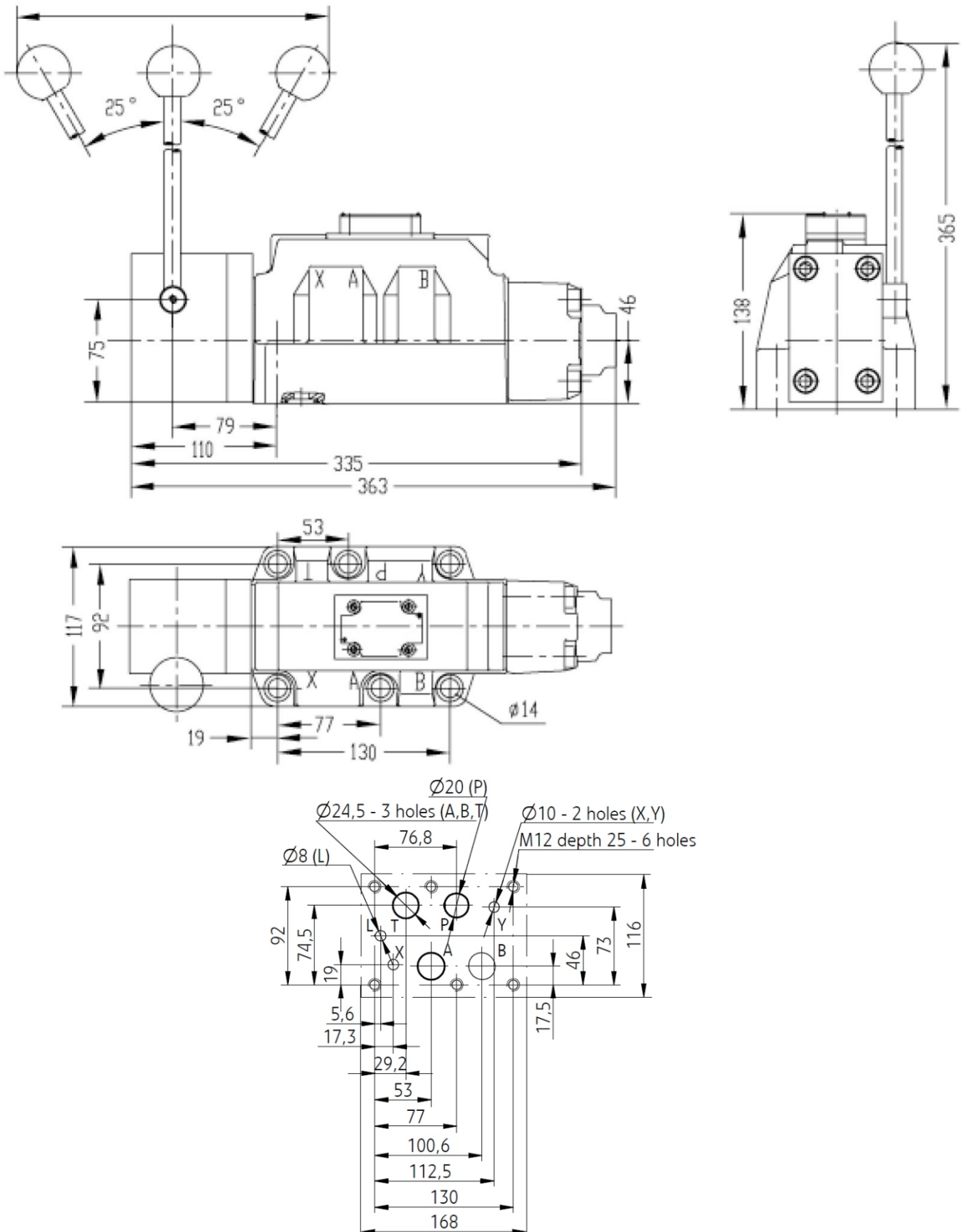
2-POSITION VALVES

3-POSITION VALVES



SEE ALSO:  
WMM6, WMM10,  
WMM16

## SUBPLATE INSTALLATION DIMENSIONS





**DISTRIBUTORI  
OLEODINAMICI**

**WMM25**

MANUALLY OPERATED  
DIRECTIONAL CONTROL VALVES

**ORDER CODE**

		WMM	25							
--	--	-----	----	--	--	--	--	--	--	--

H=35MPa

3=3-WAY  
4=4-WAY

25=25 SIZE

SPOOL TYPE

10=10 SERIES  
50=50 SERIES

NO CODE=SPRING RETURN WITHOUT DETENT  
F=DETENT WITHOUT SPRING RETURN

NO CODE=HANDLE  
ON SIDE OF PORT A  
L=HANDLE  
ON SIDE OF PORT B

NO CODE=MINERAL SUBSTANCE  
HYDRAULIC OIL  
V=PHOSPHATE EATER  
HYDRAULIC OIL

NO CODE=WITHOUT THROTTLE INSERT  
B0.8=THROTTLE 0.8 MM  
B1.0=THROTTLE 1.0 MM  
B1.2=THROTTLE 1.2 MM