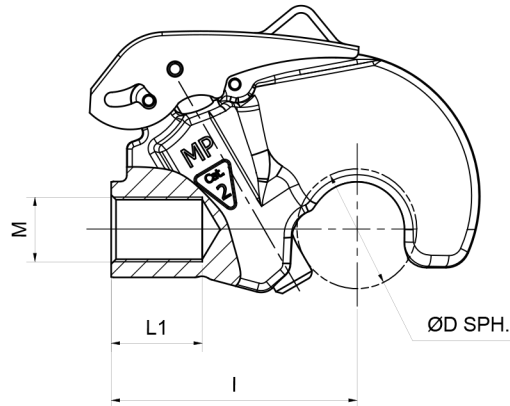
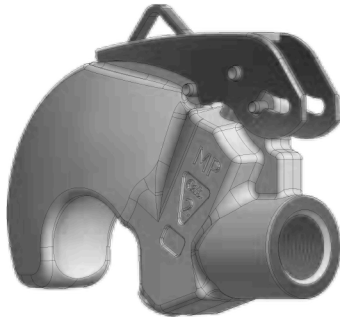


# gancio superiore "rapido" a saldare cat. 2/3 per cilindri idraulici

**GRR**

"RAPID" HOOK FOR TOP LINK TO WELD ON  
CROCHET "RAPID" À SOUDER CAT. 2/3  
HAKEN "RAPID" ZUM ANSCHWEIßEN KAT. 2/3

MATERIALE: 33MNCRB5/35MNB BONIFICATO  
MATERIAL: 33MNCRB5/35MNB TEMPERED  
MATERIEL: 33MNCRB5/35MNB TREMPÉ  
MATERIAL: 33MNCRB5/35MNB TEMPERED



ART.	CAT.	D	M	L1	I	PESO
						Kg.
GRR 975	2	50	FORO D.12	15	102	2,02
GRR 976	2	50	M20x1,5	25	102	1,96
GRR 974	2	50	M27x2	35	102	2,10
GRR 969	2	50	M30x2	35	102	2,30
**GRR 970	3/2	60	M36x2	43	132	4,04